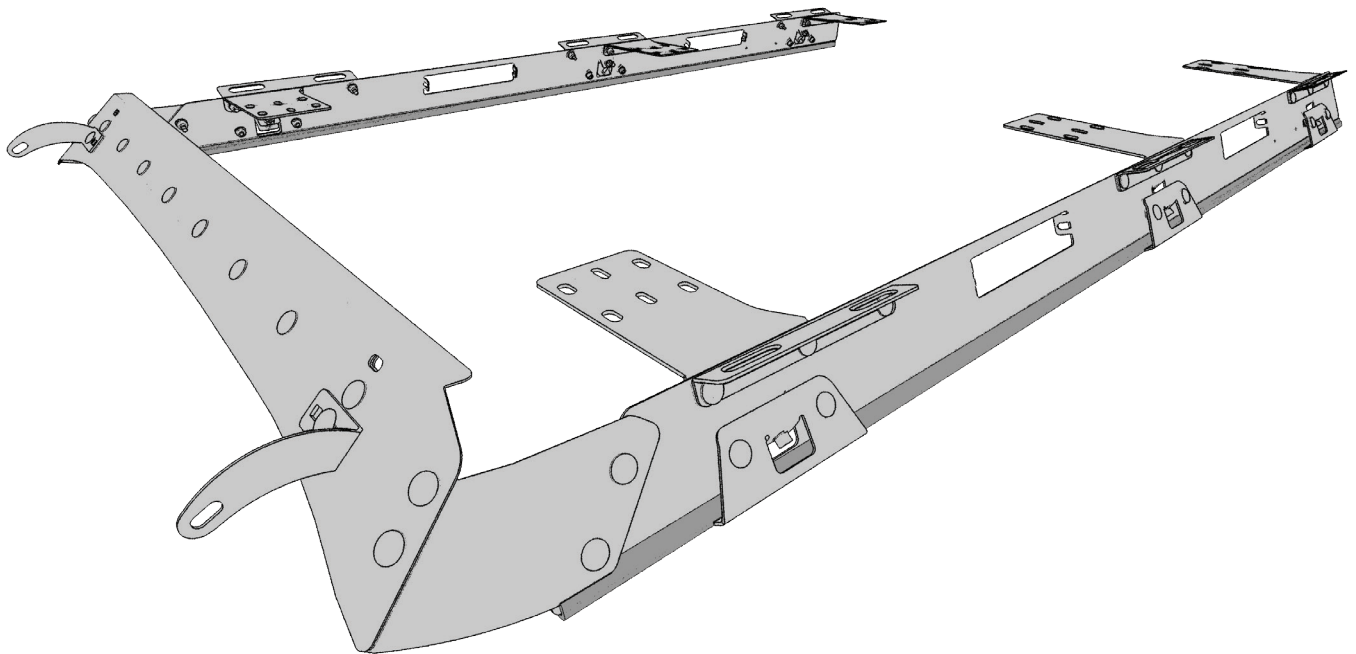


# INSTALLATION INSTRUCTIONS

Instructions suitable for **NISSAN** Patrol GU



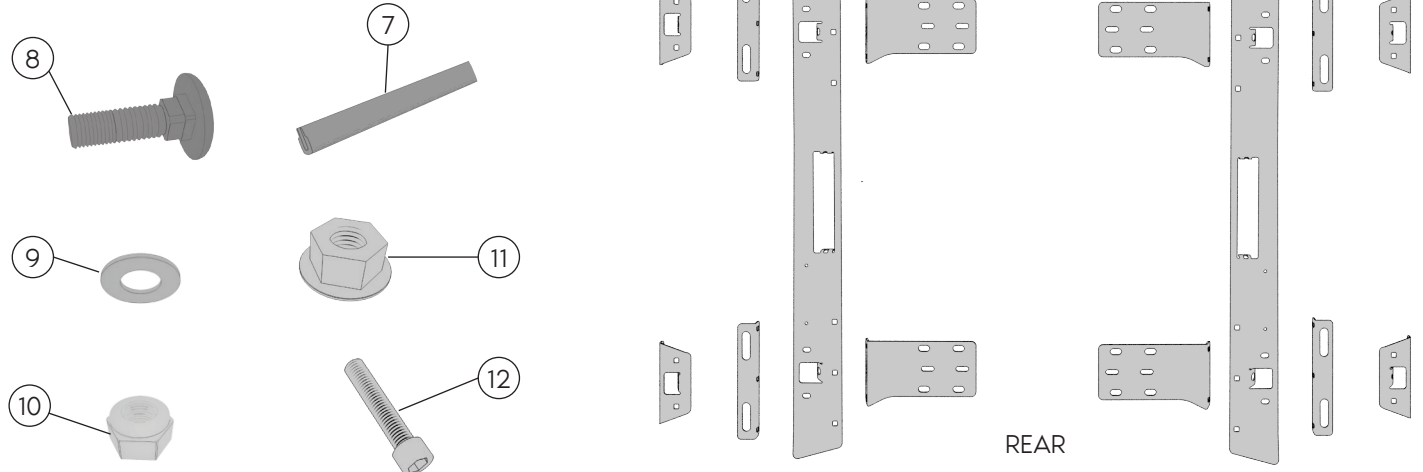
[www.bullseyeproducts.com.au](http://www.bullseyeproducts.com.au)



Document created by Anchor Digital  
[www.anchor-digital.com.au](http://www.anchor-digital.com.au)

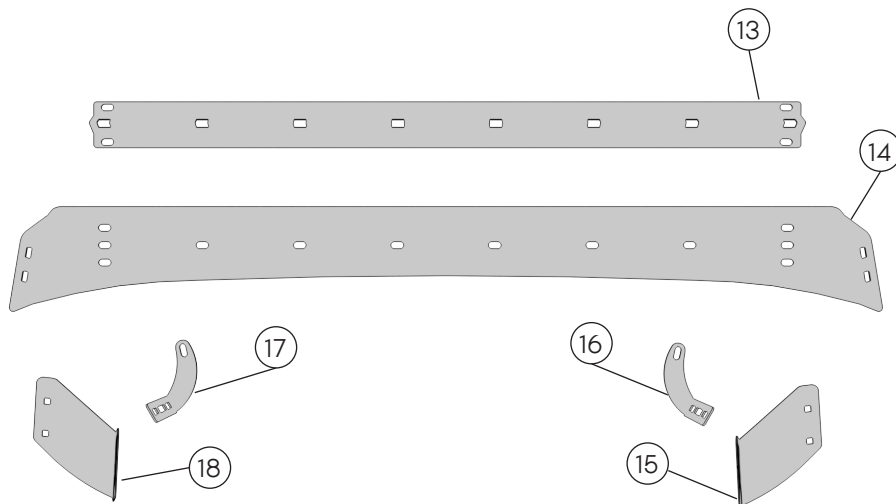
## Backbone Pack Parts

1. Driver's Side Rail
2. Driver's Mounting Plates (front, middle, rear)
3. Passenger's Mounting Plates (front, middle, rear)
4. Passenger's Side Rail
5. Tie Down Points
6. Claps
7. Rubber Seal
8. M8 WPHead Bolt
9. M8 Washer
10. M8 Nyloc Nut
11. M8 Flange Nut
12. M8 Socket Head Cap Screw

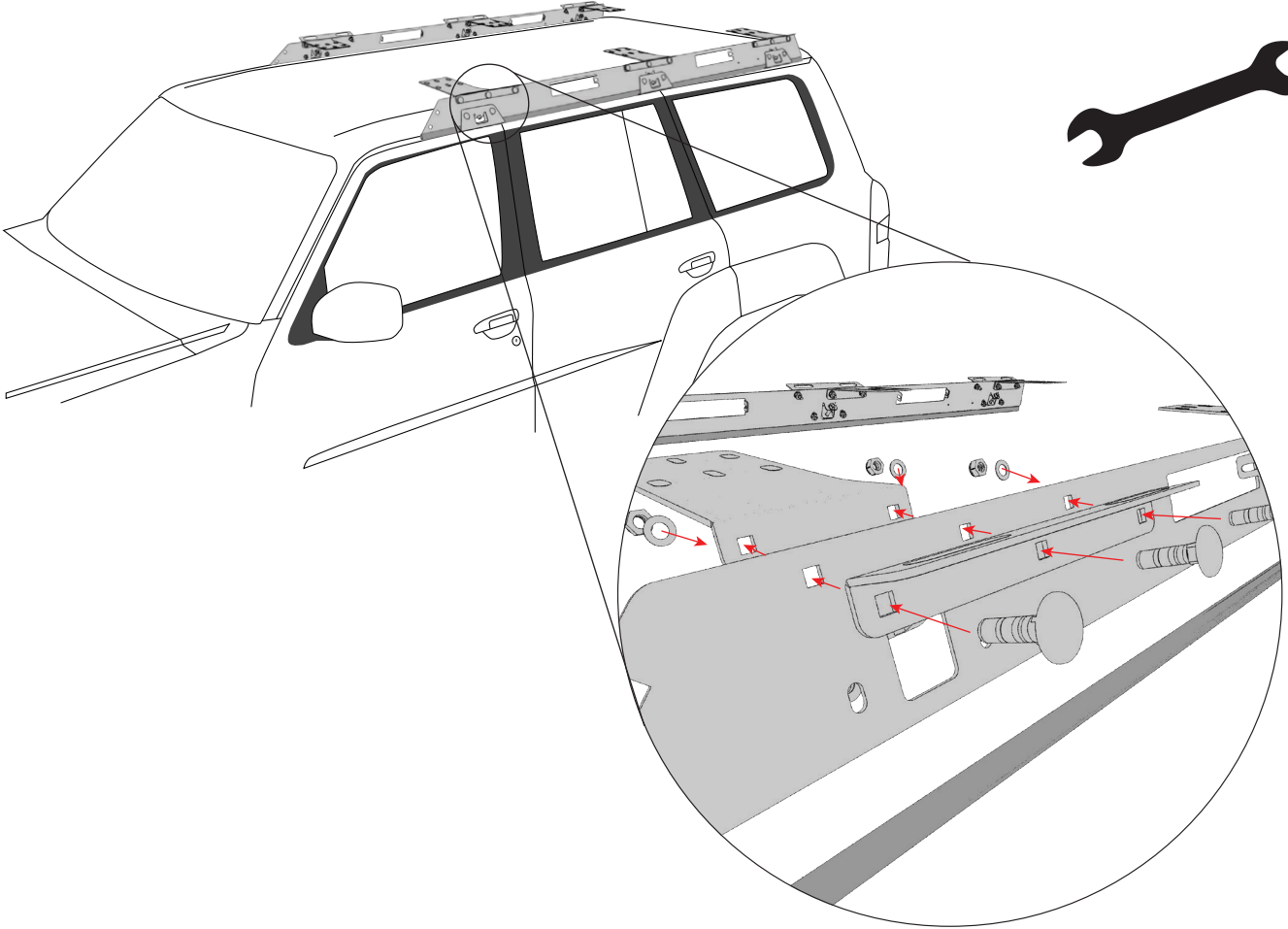


## Windbraker part

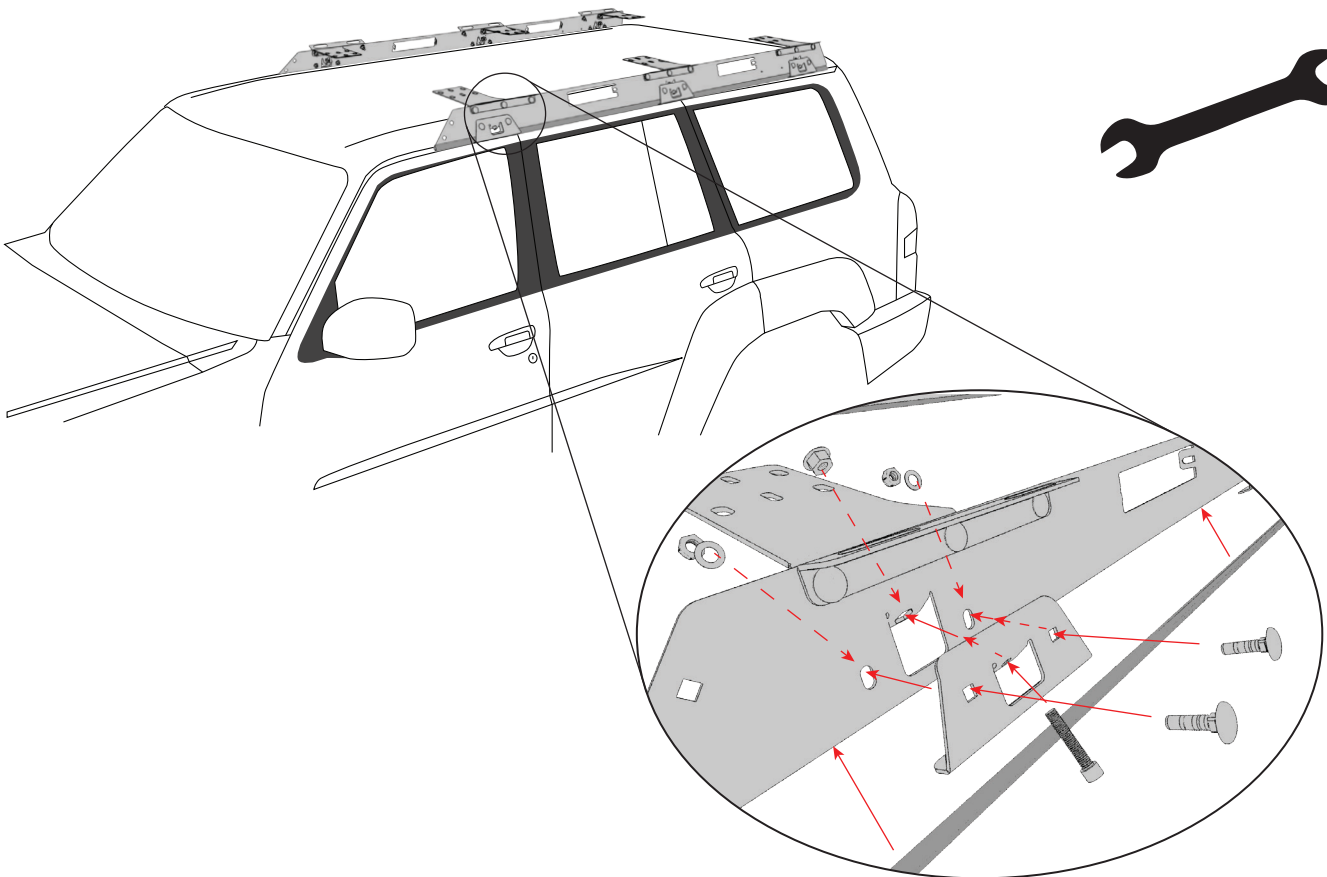
13. Wind Deflector Brace
14. Wind Deflector
15. Wind Deflector Passenger's Mounting Bracket
16. Wind Deflector Passenger's Light Bar Mounting Bracket
17. Wind Deflector Driver's Light Bar Mounting Bracket
18. Wind Deflector Driver's Mounting Bracket



STEP 3



STEP 4



STEP 5

