



INSTALLATION INSTRUCTIONS

(* Instructions suitable for following vehicles:

FORD RAPTOR, FORD EVEREST, FORD PX RANGER, FORD PK/PJ, FORD COURIER, FORD PX RANGER.

TOYOTA PRADO 150, PRADO 120, 100/105 SERIES LANDCRUISER, 200 SERIES LANDCRUISER, HILUX LN106 1988-1997, HILUX LN167 1997-2004, HILUX 2016 -2018 N80, TOYOTA FORTUNA.

MITSUBISHI PAJERO SPORT, TRITON MQ, TRITON ML/MN.

NISSAN NAVARA NP300, NAVARA D40, NISSAN R51, NISSAN FRONTIER, NAVARA D22, PATROL GU Y62

HOLDEN RG COLORADO, RC COLORADO, RA RODEO, CURRENT SHAPE TRAILBLAZER, RA RODEO, CURRENT SHAPE DMAX,

ISUZU CURRENT SHAPE MUX, ISUZU DMAX 2010, ISUZU DMAX 2008.

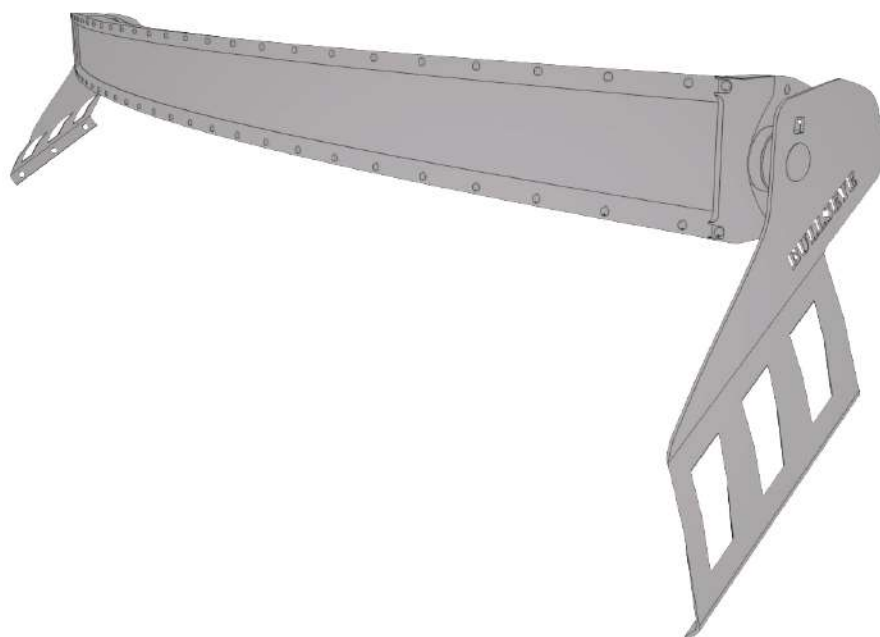
MAZDA BRAVO, BT50 2006-2011, BT50 2011 ONWARDS.

WOLKSVAGEN AMAROK.)

MERCEDES X CLASS UTE.

To view Instalation Video go to:

<https://youtu.be/YJ3csnwu1JQ>

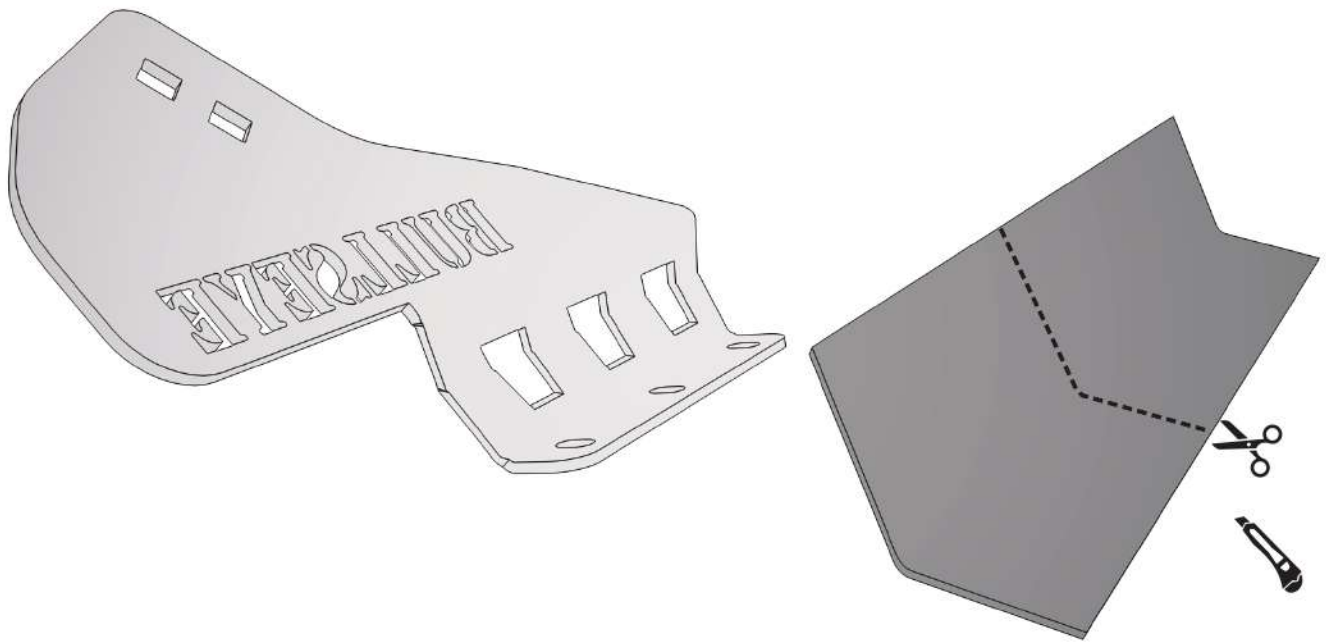


www.bullseyeproducts.com.au



Document created by Anchor Digital
www.anchor-digital.com.au

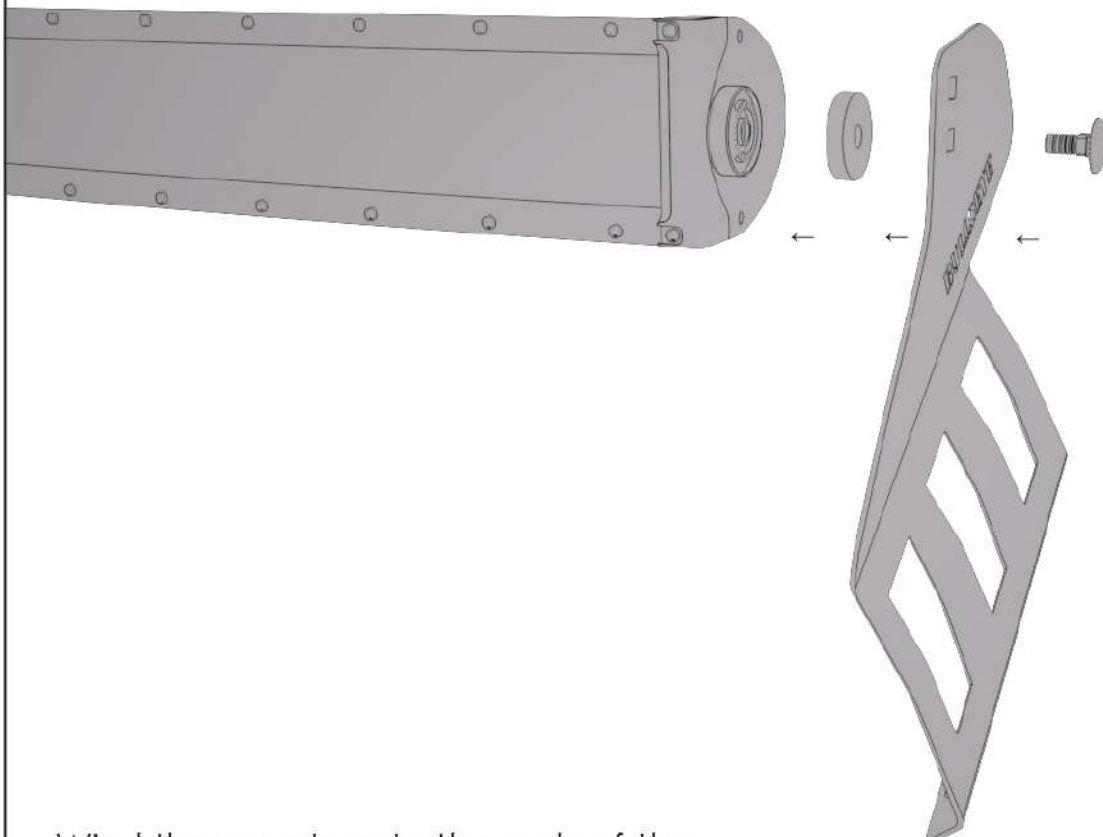
STEP 1



Start by using the sticky backed foam provided, cut it to required size and place it on the inside of the mounts to protect them from scratching the paint on your vehicle.

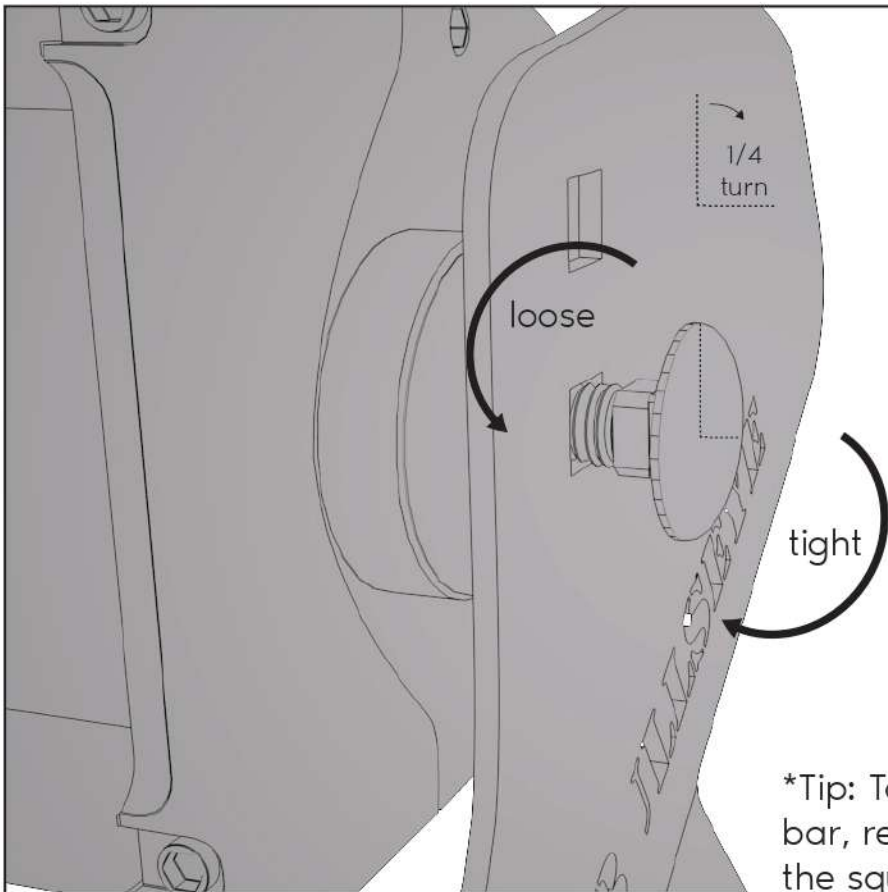
*Tip: When cutting foam use razor blade.

STEP 2

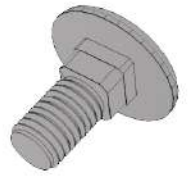


Wind the mounts onto the ends of the light bar, using the 8mm cup head bolts and rubber washers provided.

STEP 3

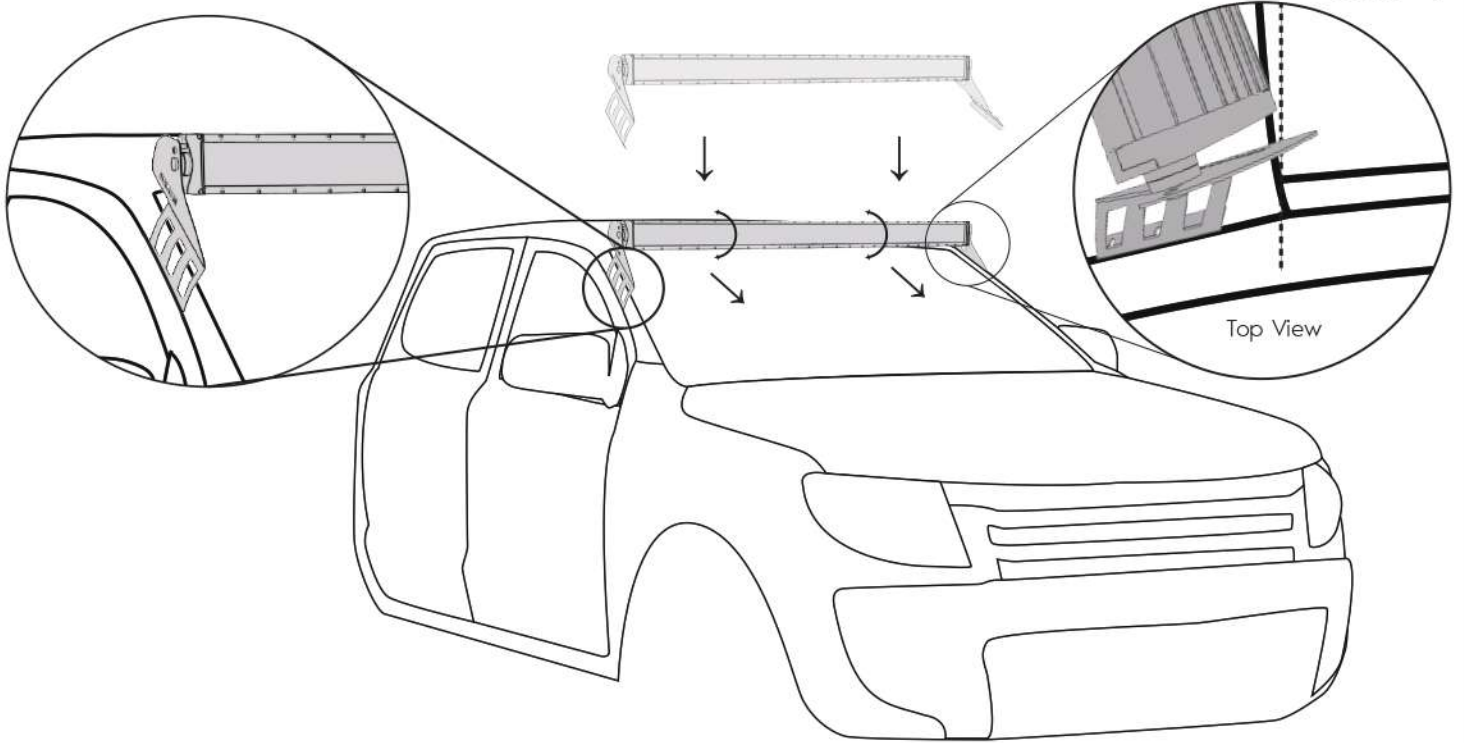


8 mm
cup head



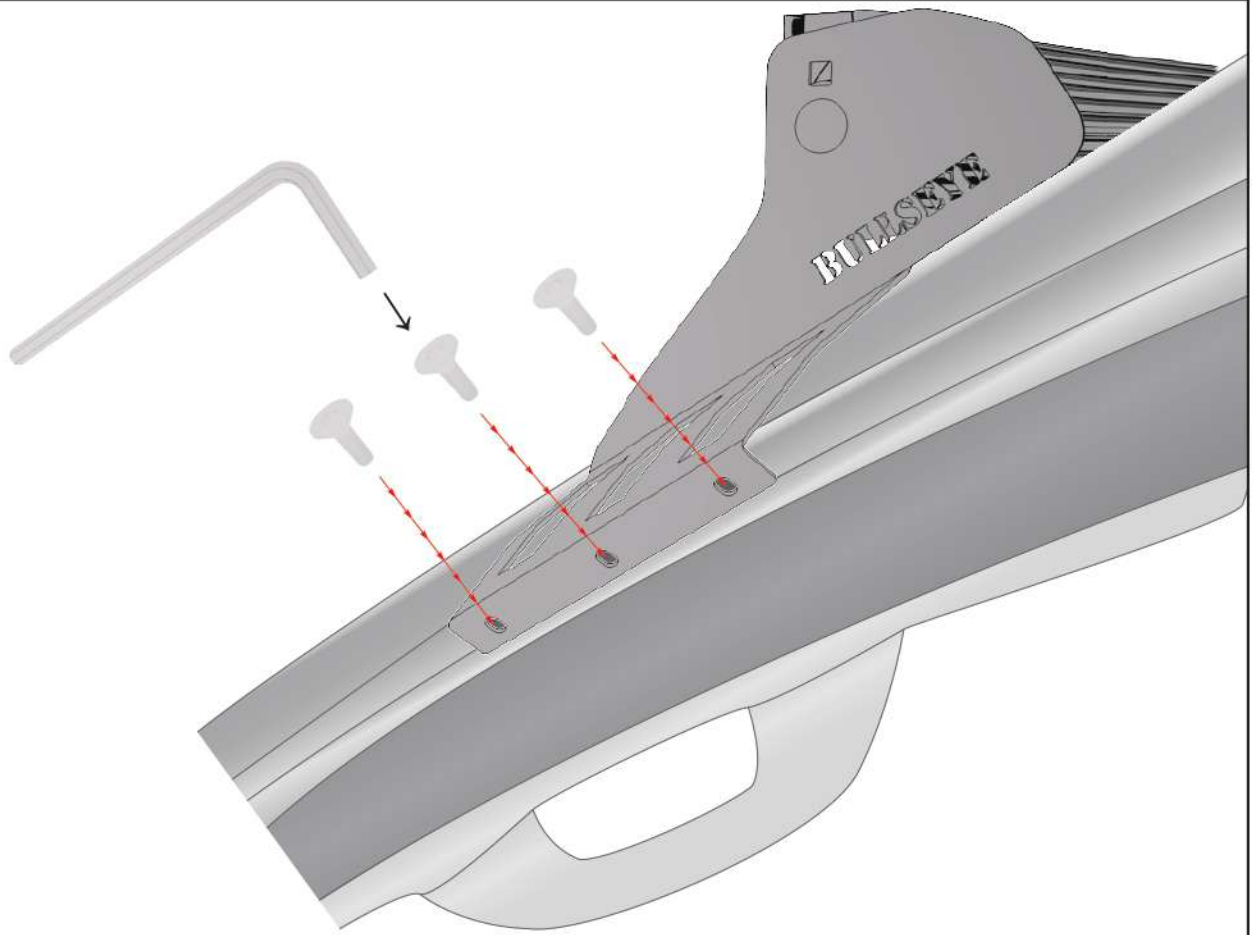
*Tip: To adjust the position of the light bar, remove and turn the Bolt 1/4 turn in the square cut-out.

STEP 4



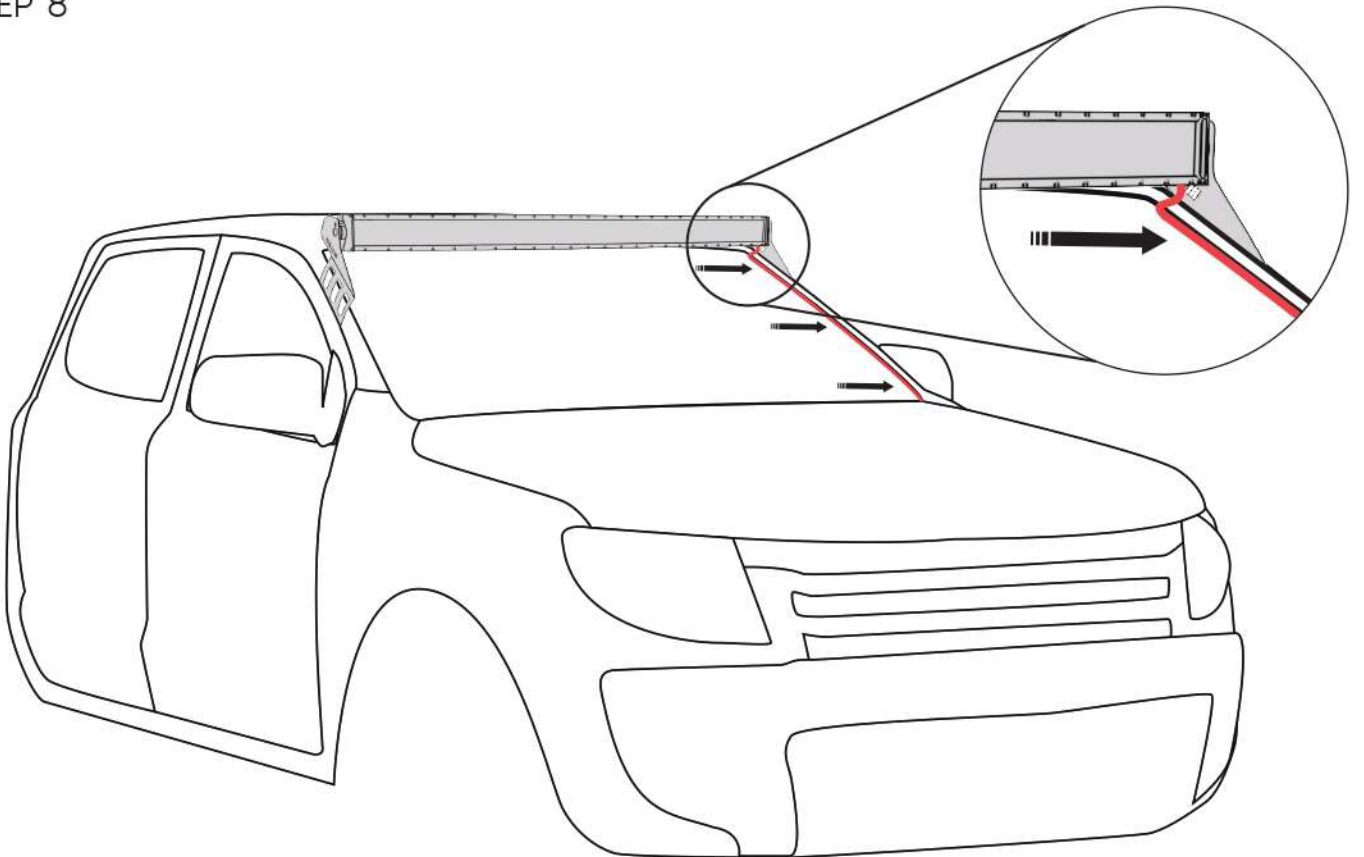
Place light bar into position on top of the windscreen, you will need a spare set of hands to help you hold it up there. The mounts sit on the A pillar in the Door jam. There is a limited area where these mounts can sit so they sit flush, and vertically on the vehicle. Adjust the light to sit horizontally.

STEP 7



Bolt up the brackets to the nutsert.

STEP 8

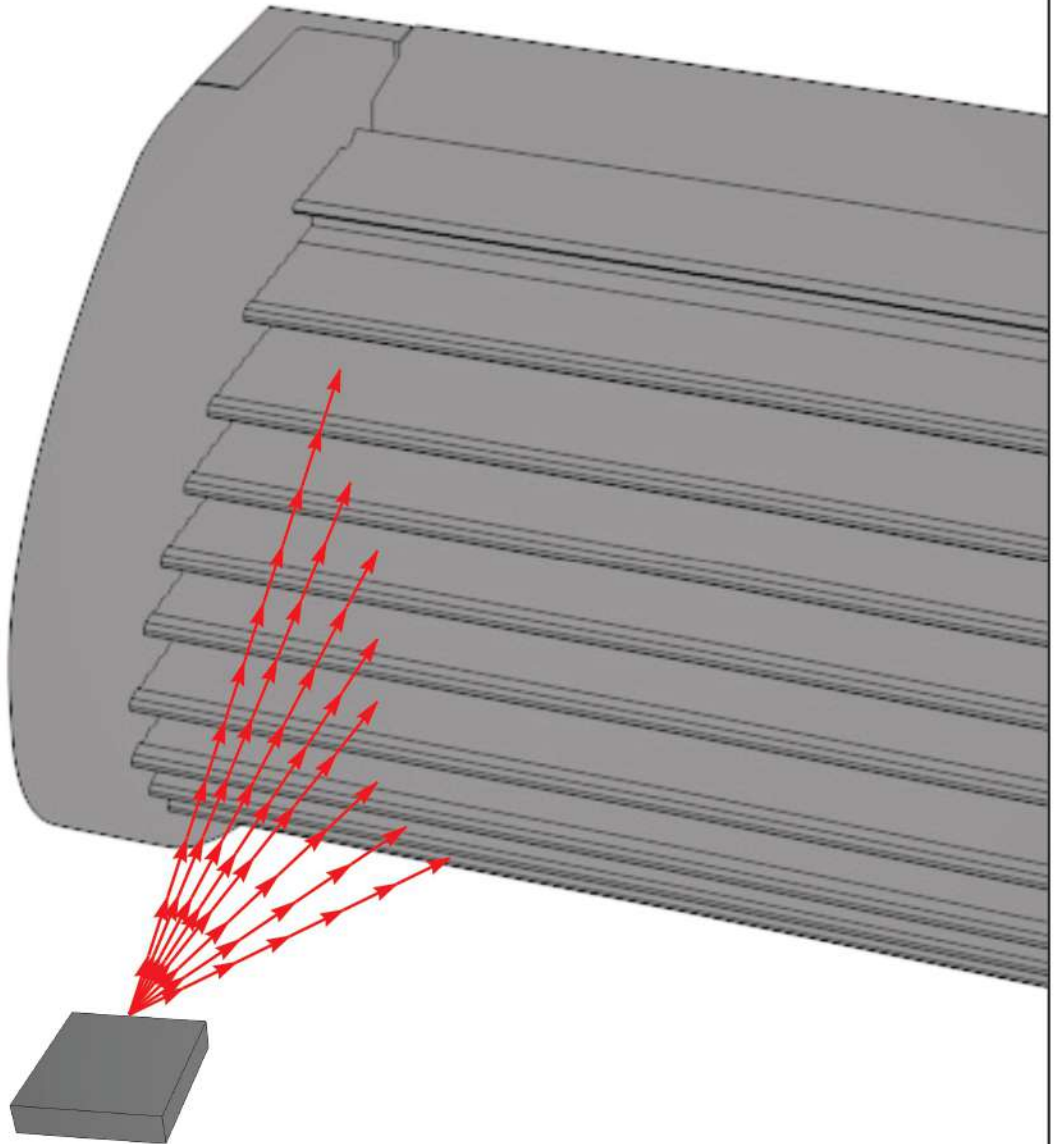


Run the wiring down the side of your windscreen, preferably on the same side as the battery. Use a few dabs of silicone or to hold it in place.

Note:

There can be some whistling, and it all depends on your bar also.

Best thing to do if you get wind noise, is either place some hard compound rubber at intervals in the fins along the rear of the bar, that will suppress the vibration caused by the wind compressing under the bar.



Suggestion:

Fisheye style optics 3D, 4D, 5D are not recommended as they drop light vertically down from the face of the light bar.

STEP 5

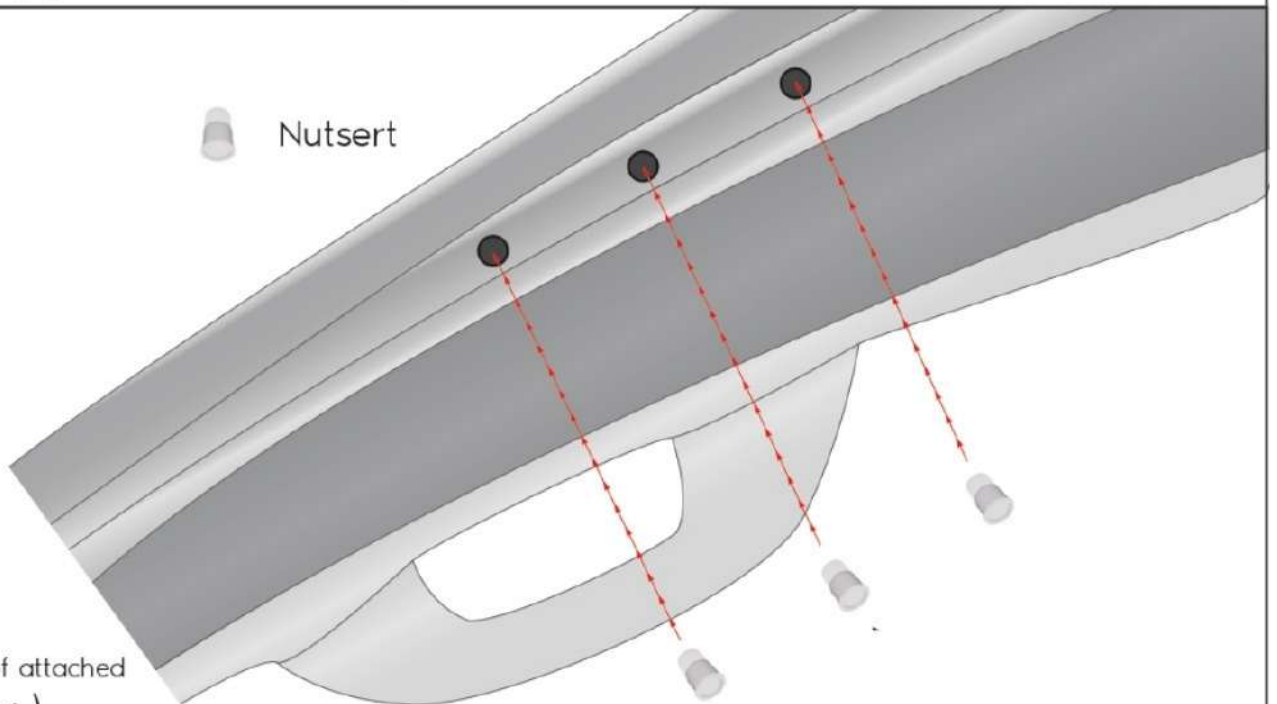


*Tip: Pre-drill holes first with 6mm drill bit and then use 9mm.
When drilling use drill depth stop



Once is lightbar in right position, mark and drill the holes required (9 mm).
After drilling paint / undercoat any bare metal.

STEP 6



(Diagram of attached
nutsert)



*Tip: Ensure the drill bit is correct size.
A tight fitting Nutsert is easier to tighten.

Note: A rivet nut tool is needed to fit the Nutserts within.